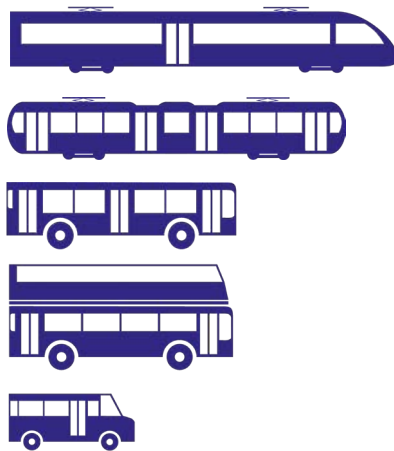


# REVO



Seats for Vehicles



Since 1937

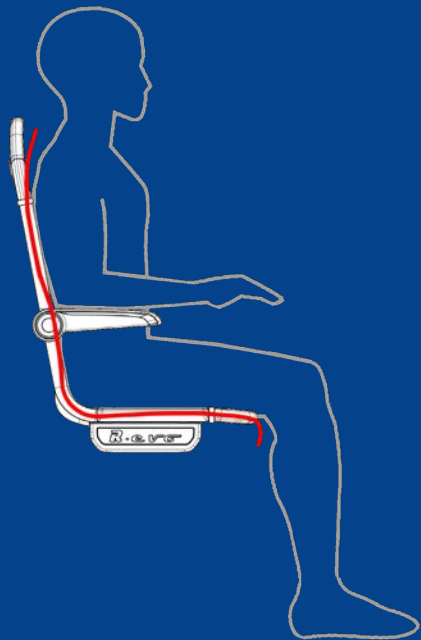


100% made in ITALY



## COMFORT DESIGN

High level of comfort thanks to its ergonomic shape tested on different kind of individuals



## Components

### MATERIALS

#### PLASTIC PA

- Upper & lower end-caps
- Hip containment
- Stanchion holder
- Foldable armrest
- Lateral cover

#### BRUSHED ALUMINUM

- Frame

#### PLASTIC PP or PC

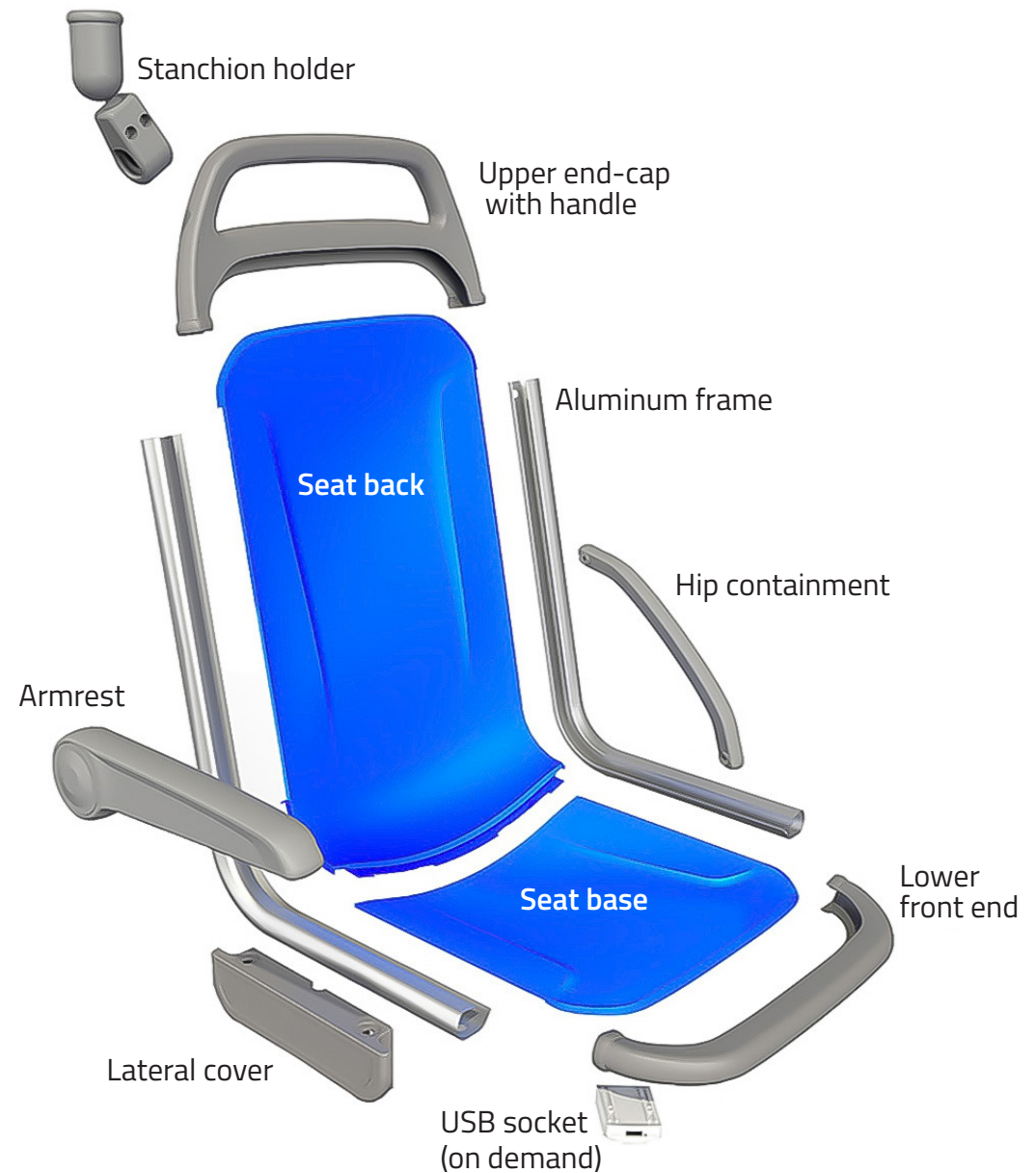
- Seat back
- Seat base

#### PLASTIC PE

- Seat back

### COMFORT DESIGN

Ergonomic lumbar region.





## Main Features

### COMFORT DESIGN

Ergonomic lumbar region.

### LIGHT WEIGHT

Only 3,99 kg.

### MODULARITY

All the elements are easily removable for cleaning or replacement.

### CUSTOMIZATION

Wide range of fabrics, plastic materials and colors, USB available.

### HIGH QUALITY

Long-lasting and recyclable materials.

### WIDE APPLICATION

Trams, subways, urban busses, mini busses, boats, waiting rooms, tribunes, cable railways.

### CERTIFICATIONS & TESTS

Compliant with EN 45545.2 (Polycarbonate version), R118 02/03, tested for R.80 UN/ECE and UIC 566.

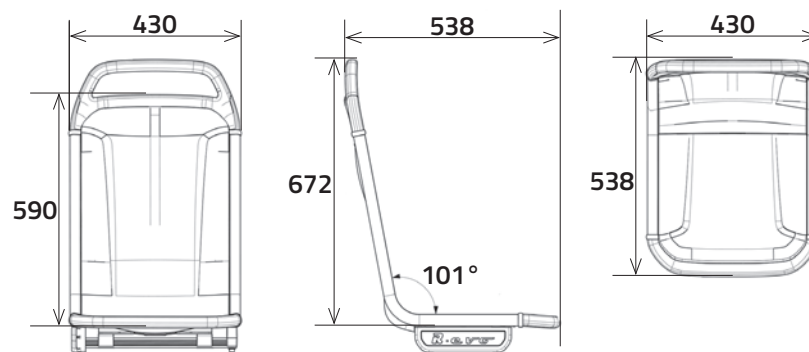
### ANTIBACTERIAL

New polyamide (PA) plastic parts with antibacterial feature.

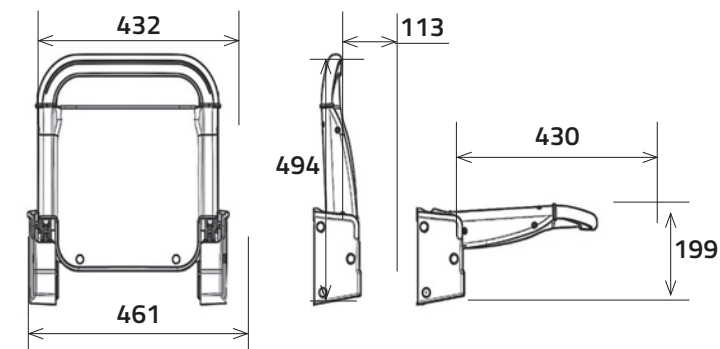
### RECYCLABLE AND RECYCLED

The seat is completely recyclable and the version in polypropilene (PP) material is also recycled.

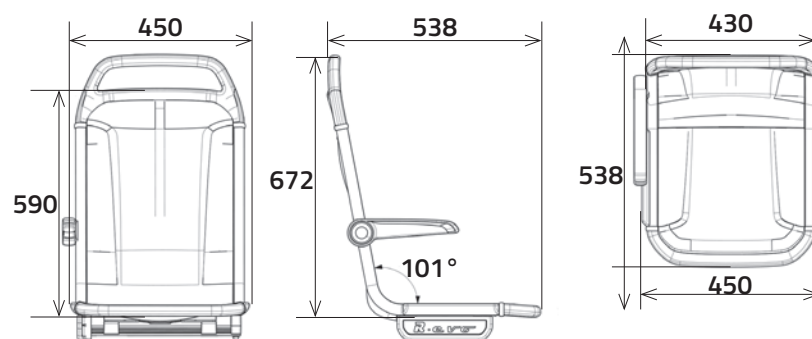
## Dimensions and Weights



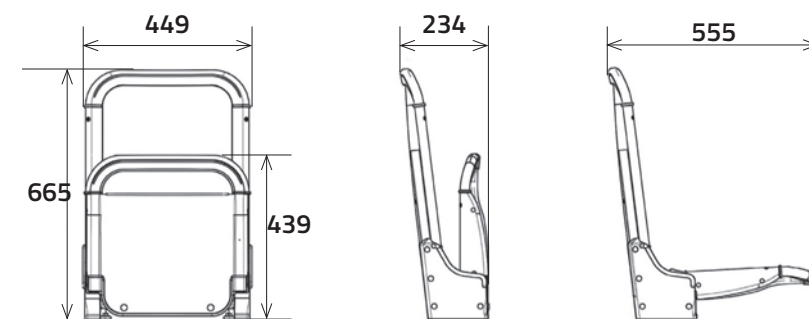
**Basic:** without handle 3,99 kg, with handle 4,40 kg.



**Flip:** weight 5,7 kg

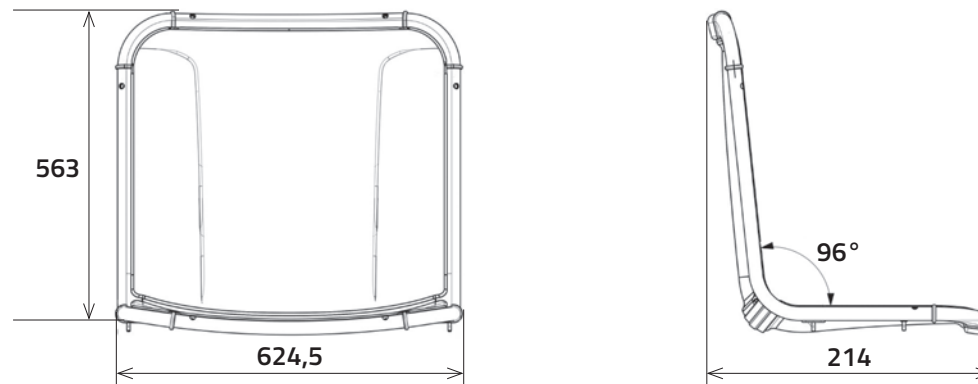


**Basic Pmr:** without handle 4,61 kg, with handle 5,02 kg.

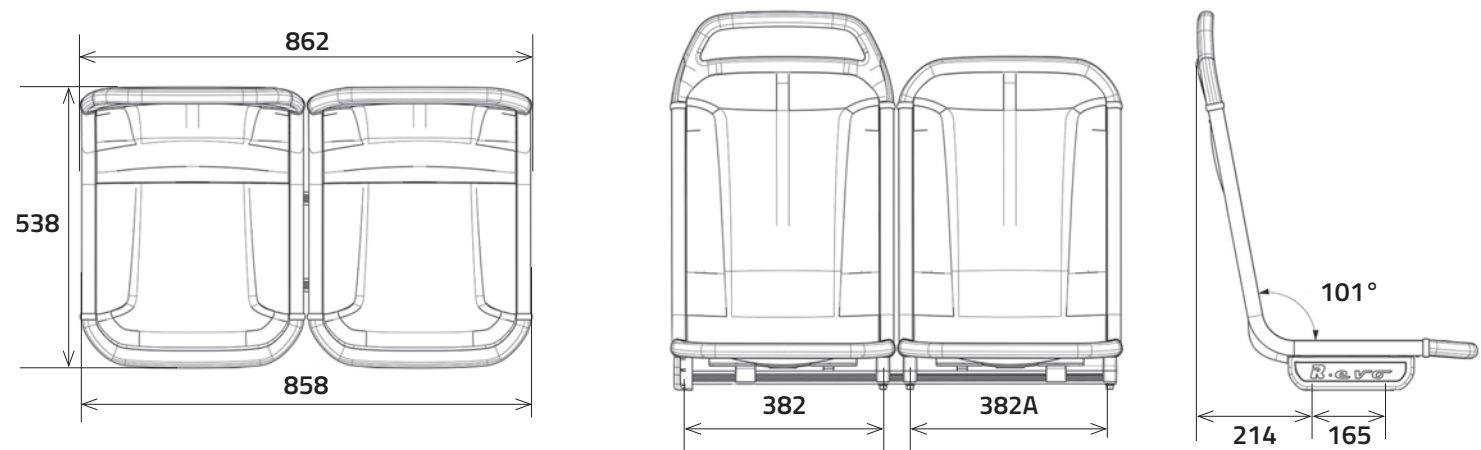


**Tip up:** weight 8,8 kg

## Dimensions and Weights



**Basic Jumbo:** without handle 9,5 kg, with handle 9,8 kg.



**Basic Double:** without handle 7,98 kg, with one handle 8,39 kg.

ON DEMAND



Antimicrobial

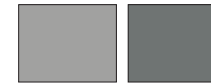


Recycled polypropylene (PP) plastic

## Standard Colors



**1a** Plastic end-cap with and without handle and Stanchion holder



RAL 9006 Material PA RAL 7037 Material PA

**2a** Plastic hip containment



RAL 9006 Material PA RAL 7042 Material PA RAL 7037 Material PA

**3a** Armrest



RAL 9006 Material PA RAL 7042 Material PA RAL 7037 Material PA

**4a** Jumbo corner



RAL 9006 Material PA RAL 7042 Material PA RAL 7037 Material PA RAL 5015 Material PA RAL 1021 Material PA

**5a** Side cover



RAL 9006 Material PA RAL 7042 Material PA RAL 7037 Material PA

**6a** Seat base and back rest solid color



RAL 7037 Mat. PP/PC RAL 5015 Mat. PP/PC  
 NEUTRAL Material PE RED Material PE BLUE Material PE GREEN Material PE

**7a** Frame, PMR seat frame addition



Brushed Alu.

**8a** USB socket



White

ON DEMAND



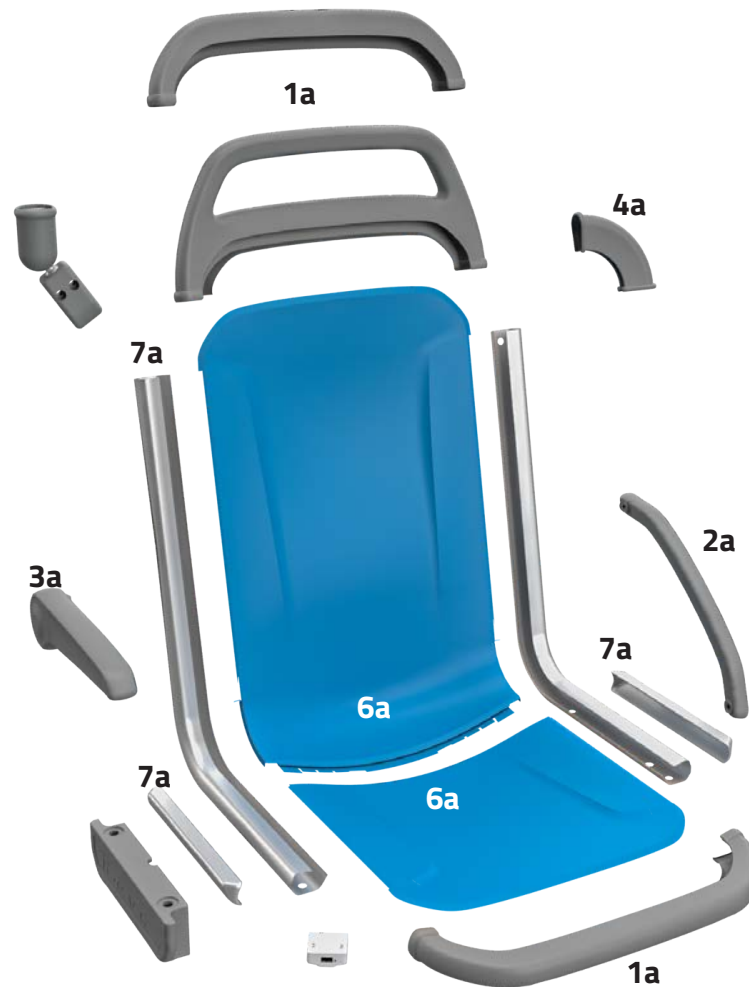
Antimicrobial



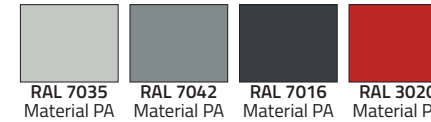
Recycled polypropylene (PP) plastic

## On Demand Colors

(MOQ 150 PCs/Color)



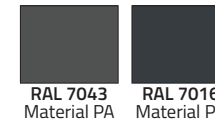
**1a** Plastic end-cap with and without handle



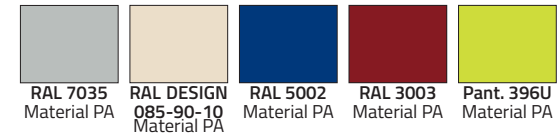
**2a** Plastic hip containment



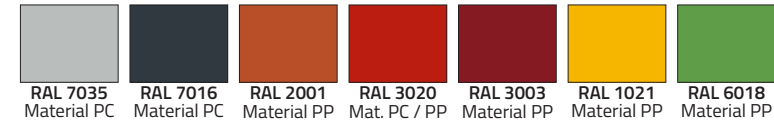
**3a** Armrest



**4a** Jumbo corner



**6a** Seat base and back rest solid color



**7a** Frame, PMR seat frame addition



Any Color Available  
Aluminium

priority to colors already done, TBC with our commercial offices

## Models



Basic  
(plastic)



\* Basic translucent  
(plastic)

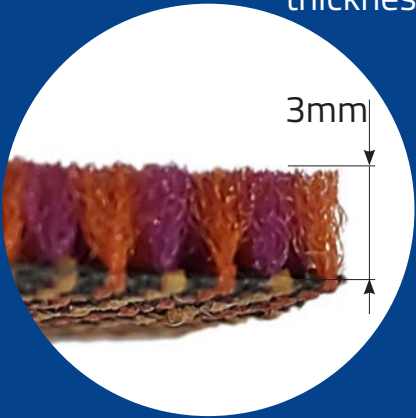


\* Comfort Light  
translucent (glued Fabric)



\* Comfort Light  
(glued Fabric)

Fabric  
maximun  
thickness



Flip (glued Fabric)



Tip Up (glued Fabric)



Jumbo (plastic)

\* Also Jumbo



## Accessories and options

LED light on rear backrest

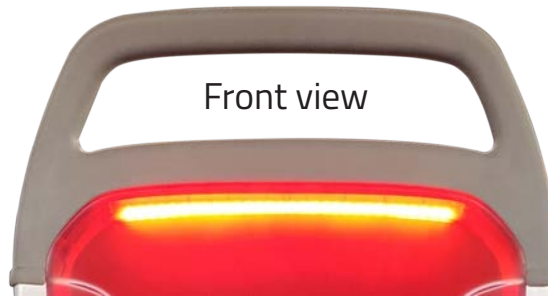


LED light under seat

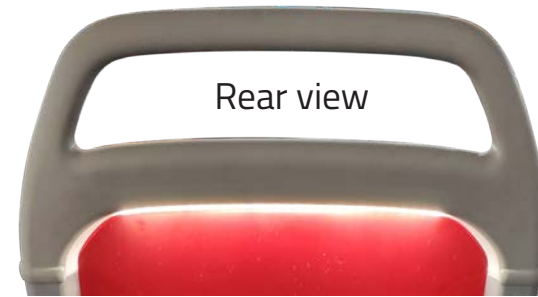


LED light on translucent colored backrest

Front view



Rear view



USB socket



Double seats USB socket

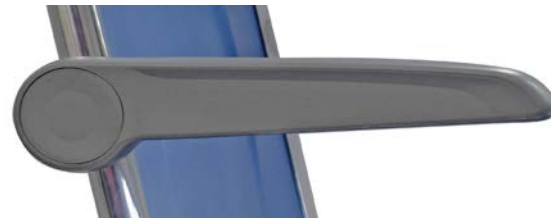
## Accessories and options



Stanchion holder



Hip containment



Armrest



Standard lateral cover



Customer's logo (sticker)



Customer's engraved logo



Customer's backlit logo

## Quick and easy maintenance



There is no need to remove the seat from supports



**1**

Unscrew the two screws under the seat



**2**

Unscrew the two screws in the rear of backrest



**3**

Slide backrest or seat pad out of the metal frame



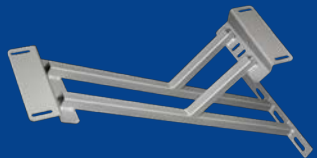
Light



Design

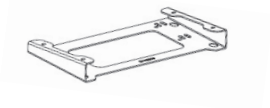


Smart



Cantilever

## Seat Support



Basic with adaptor



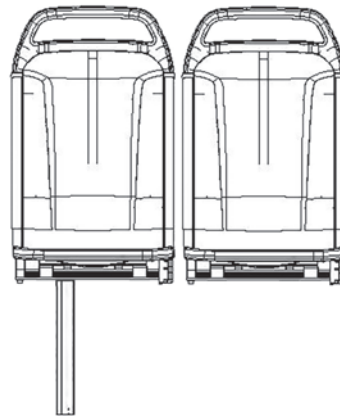
Wall mount, "T" leg



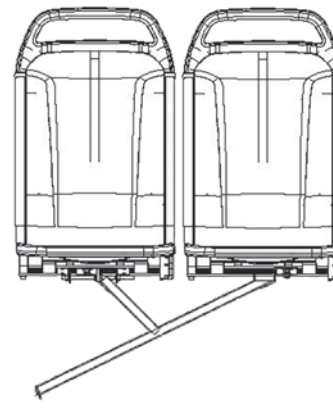
Cantilever frame



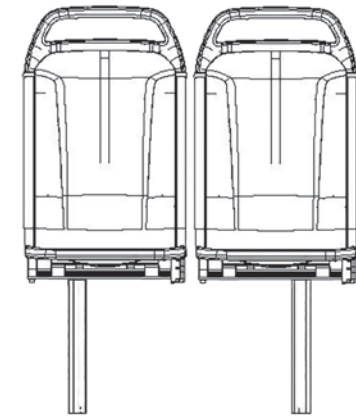
"T" legs



Wall mount, "T" leg



Cantilever frame



"T" legs

## Interior Views



# RUSPA

INNOVATION MANUFACTURING

Fondata nel 1937, Ruspa Officine è un 'azienda indipendente che non controlla e non è controllata da altre imprese.

Nel corso degli anni, ha sviluppato il proprio core business progettando e producendo equipaggiamenti speciali e componenti per il settore dei veicoli commerciali (trasporto di merci e persone).

Founded in 1937, Ruspa Officine is an independent company that does not control and is not controlled by other companies.

Over the years, it has developed its core business by designing and manufacturing special equipment and components for the commercial vehicle sector (transport of goods and people).

